



Sparkle Power Inc.
 A Leading Power Supply Manufacturer
 Web site: www.sparklepower.com

ATX-350PN (RoHS Compliant) **350 Watts ATX12V 2.2 Switching Power Supply**

Features

- Complied with ATX12V standard
- High efficiency and reliability, low noise and ripple
- Compatible with European Union Directive 2002/95/EC (Restriction on Hazardous Substances).
- Remote ON/OFF function
- Internal 12V DC fan included
- Noise Killer (thermal fan speed control function)
- Output over voltage, short circuit, and over current protection
- 100% Hi-pot, ATE, and burn-in tested
- Re-settable power shut down
- Complies with FCC part 15 subpart J class B 115Vac operation, and CISPR 22 class B at 230Vac operation
- Approved by UL60950, CSA C22.2 NO. 60950, TUV EN60950 or VDE EN60950, NEMKO EN60950 (CB Report)

Input Characteristics

Input Range: ±10% of 115Vrms/57~63Hz or 230Vrms/47~53Hz,
 Manual Selection

Input Current: 8A (RMS) @115Vac, 4A (RMS) @230Vac

Inrush Current: No Damage

Output Characteristics

Output Voltage	Minimum Load	Normal Load	Maximum Load	Load Reg.	Line Reg.	Ripple & Noise
+3.3V	0.5A	11.0A	20.0A	± 5%	± 1%	50mV P-P
+5V	1.0A	10.5A	21.0A	± 5%	± 1%	50mV P-P
+12V1	1.0A	5.0A	18.0A	± 5%	± 1%	120mV P-P
+12V2	1.0A	7.5A	16.0A	± 5%	± 1%	120mV P-P
-12V	0.0A	0.15A	0.3A	± 10%	± 2%	120mV P-P
+5Vsb	0.0A	1.0A	2.5A	± 5%	± 1%	50mV P-P

*+3.3V and +5V total output not exceed 130W

*+12V1 and +12V2 total output not exceed 300W

*+3.3V & +5V & +12V1 & +12V2 total output not exceed 335W

* Total output for this subject power supply is 350W

Sparkle Power Inc.
Main Office
 1000 Rock Avenue
 San Jose, CA 95131
 TEL: 408-519-8888
 FAX: 408-519-9999
 E-MAIL: info@sparklepower.com

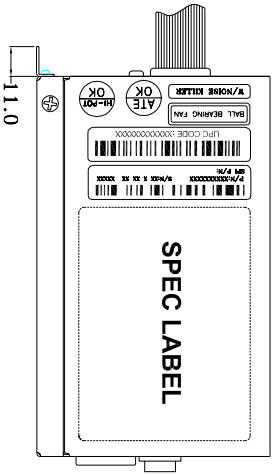
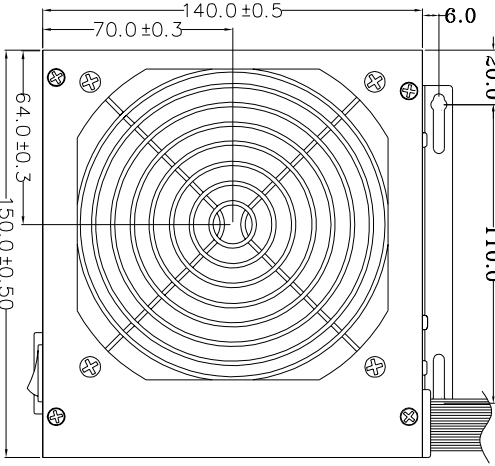
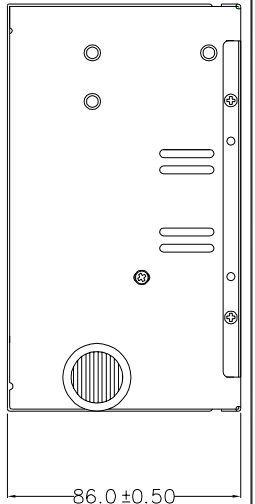


Specification

- **Temperature Range:** Operating: 0°C ~ +50°C, Full load at 25°C, De-rate 2W/°C from 25°C to 50°C;
- **Storage & shipping:** -20°C ~ +65°C
- **Humidity:** 5 ~ 95% on operating and storage
- **Dielectric Withstand:** Primary frame ground 1800V AC for 1 second
- **Efficiency:** 70% minimum measured at normal AC mains voltage and frequency with full load
- **Rise time:** Less than 20ms
- **Hold-up Time:** 16ms minimum at nominal input voltage
- **Power Good Signal:** Power on delay time 100 ~ 500ms, off delay 1ms minimum (TTL and CMOS compatible)
- **Leakage Current:** Less than 3.5mA at 115VAC/60Hz
- **MTBF:** 100,000 hours on maximum load at +25°C
- **Dimensions (LxWxH):** 140x150x86mm/5.5x5.9x3.4inch

Sparkle Power Inc.
Los Angeles Office
 17071 Green Drive
 City of Industry, CA 91745
 TEL: 626-839-7180
 FAX: 626-839-3395

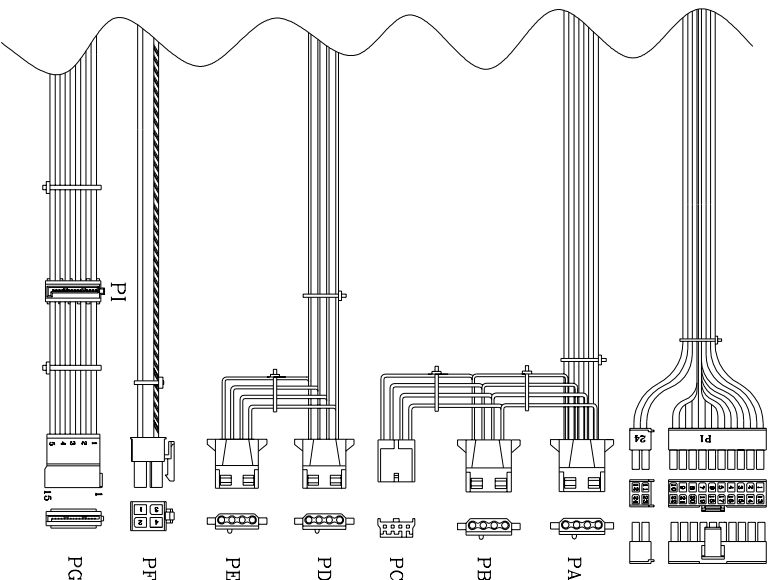
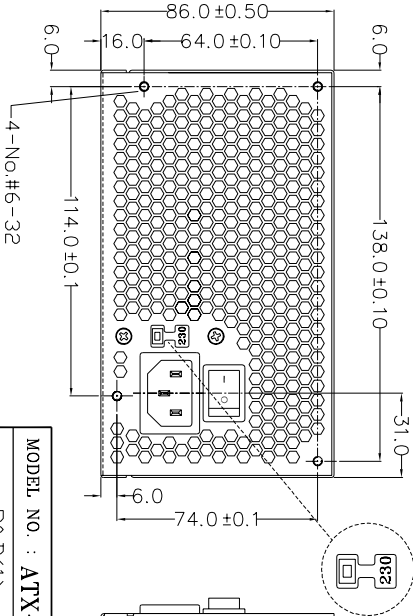
REF. ID.	PN#	SIGNAL	WIRE COLOR	CONVERTOR	CABLE LENGTH
P1	1	+3.3VDC	ORANGE 18	AMP	390±30mm
	2	+3.3VDC	ORANGE 18	Reference-480±30mm	-10
	3	COM	BLACK 18	AMP	390±30mm
	4	+5VDC	RED 18	AMP	390±30mm
	5	+5VDC	RED 18	AMP	390±30mm
	6	COM	BLACK 18	AMP	390±30mm
	7	COM	BLACK 18	AMP	390±30mm
	8	PN-OK	GRAY 24	AMP	390±30mm
	9	+5Vdc	PURPLE 18	AMP	390±30mm
	10	+5Vdc	YELLOW 18	AMP	390±30mm
	11	+5VDC	YELLOW 18	AMP	390±30mm
	12	+3.3VDC	ORANGE 20	AMP	390±30mm
	13	+3.3VDC	ORANGE 20	AMP	390±30mm
	14	+5VDC	BROWN 24	AMP	390±30mm
	15	COM	BLACK 18	AMP	390±30mm
	16	PS-ON	GREEN 24	AMP	390±30mm
	17	COM	BLACK 18	AMP	390±30mm
	18	COM	BLACK 18	AMP	390±30mm
	19	COM	BLACK 18	AMP	390±30mm
	20	COM	BLACK 18	AMP	390±30mm
P1/24	21	+5VDC	RED 18	AMP	390±30mm
	22	+5VDC	RED 18	AMP	390±30mm
	23	+5VDC	RED 18	AMP	390±30mm
	24	COM	BLACK 18	AMP	390±30mm
PA	1	+12V	YELLOW 18	AMP	155±10mm
	2	COM	BLACK 18	AMP	155±10mm
	3	COM	BLACK 18	AMP	155±10mm
PB	1	+12V	YELLOW 18	AMP	155±10mm
	2	COM	BLACK 18	AMP	155±10mm
PC	1	+12V	YELLOW 18	AMP	155±10mm
	2	COM	BLACK 18	AMP	155±10mm
PD	1	+12V	YELLOW 18	AMP	155±10mm
	2	COM	BLACK 18	AMP	155±10mm
PE	1	+12V	YELLOW 18	AMP	155±10mm
	2	COM	BLACK 18	AMP	155±10mm
PF	1	+12V	YELLOW 18	AMP	155±10mm
	2	COM	BLACK 18	AMP	155±10mm
PG	1	+12V	YELLOW 18	AMP	155±10mm
	2	COM	BLACK 18	AMP	155±10mm
PI	1	+12V	YELLOW 18	AMP	155±10mm
	2	COM	BLACK 18	AMP	155±10mm



NOTE:

1. ALL THE LENGTH OF OUTPUT WIRES EXCLUDE HOUSING.
2. 產地標籤依業務指示加貼.

UNIT:mm



FSP P/N.:9PX3504609
SPI P/N.:ATX-350PN-B204

3 客户要求變更整組線材

MODEL NO. : ATX-350PN(S03001)	TITLE: ASSY	SHEET: 1 OF 1	REV:03
R&D(1)	PE	DRAWN	DATE
			DEC.19.2006

Mechanical Drawing(外觀/機構圖) 表單編號7000P-0111