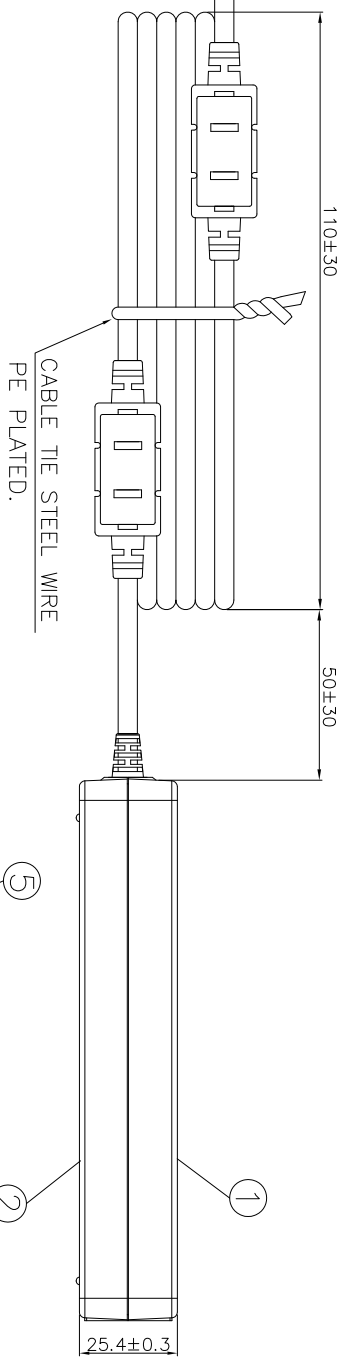
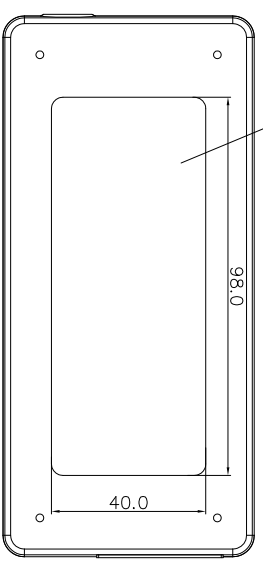


| PIN | | 芯線 |
|-----|------------------|------|
| A1 | A12 B1 B12 SHELL | GND |
| A4 | A9 B4 B9 | Vbus |
| A5 | | CC |



| ITEM | PART NAME | COLOR |
|------|------------|-------|
| 1 | COVER | BLACK |
| 2 | CHASSIS | BLACK |
| 3 | POWER CORD | BLACK |
| 4 | SOCKET | BLACK |
| 5 | LABEL | BLACK |



| | | | | |
|------------------------|------------------------|-------------------|------------------|------------------|
| THIRD ANGLE PROJECTION | DIMENSIONAL TOLERANCES | | HOLDS : ±0.05 | ANGLES : ±0.5° |
| SCALE: UNIT : mm | () | () | (V) | () |
| | <30 : ±0.2 | PERIMETERS : ±0.2 | 0~100 : ±0.2 | 0~600 : ±1.5 |
| | 30~100 : ±0.3 | DRILLS : ±0.05 | 100~200 : ±0.3 | 600~1000 : ±2.0 |
| | >100~300 : ±0.4 | XX : ±0.5 | 200~300 : ±0.4 | 1000~1500 : ±2.5 |
| | >300~900 : ±0.5 | XXX : ±0.3 | 300~400 : ±0.5 | 1500~2000 : ±3.0 |
| | >900~3000 : ±0.8 | | 800~OTHER : ±3.1 | |

| | | | |
|--------------------------|---------------------------|---------------|-----------------|
| MODEL NO. : FSP240-A2AR3 | TITLE: Physical Dimension | SHEET: 1 OF 1 | REV:01 |
| R&D3 Division | PE Angela | ME Angela | DATE 2024/04/18 |
| L.J | | | |
| INTERIOR COUNTERSIGN: | | | |

P/N.: 9NA2400700