

# **User Manual**

## **6K/10K Rack/Tower Online UPS**

### **Uninterruptible Power Supply System**

Version: 1.2

## 2. Installation

There are two types: standard and long-run models. Please refer to the following model table.

Model	Type	Model	Type
6KRT	Standard model	6KRTL	Long-run model
10KRT	Standard model	10KRTL	Long-run model

### 2-1. Unpacking and Inspection

Unpack the package and check the package contents. The shipping package contains:

- One UPS
- One user manual
- One monitoring software CD
- One RS-232 cable (option)
- One USB cable
- One parallel cable and one share current cable (option)
- One battery cable (option)
- Two sets of tower stands including feet and extensions
- Mounting ears

**NOTE:** Before installation, please inspect the unit. Be sure that nothing inside the package is damaged during transportation. Do not turn on the unit and notify the carrier and dealer immediately if there is any damage or lacking of some parts. Please keep the original package in a safe place for future use.

### 2-2. Rear Panel View

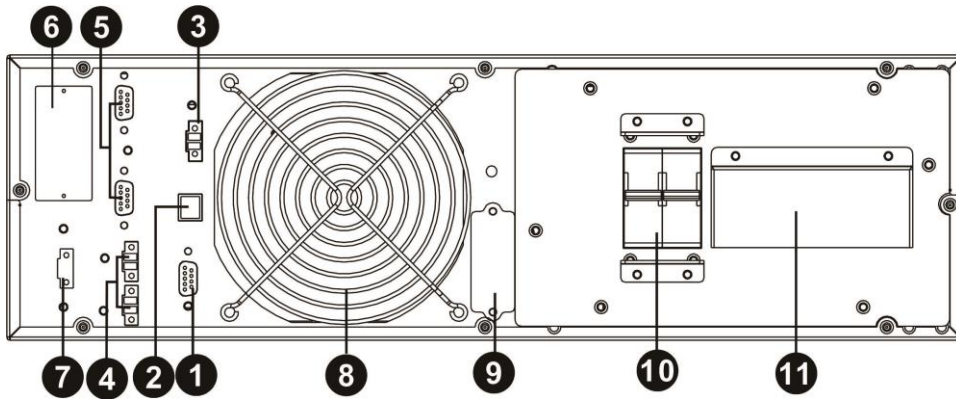


Diagram 1: 6KRT(L)/10KRT(L) Rear Panel

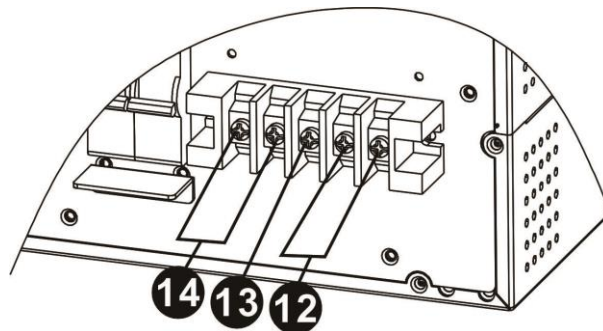
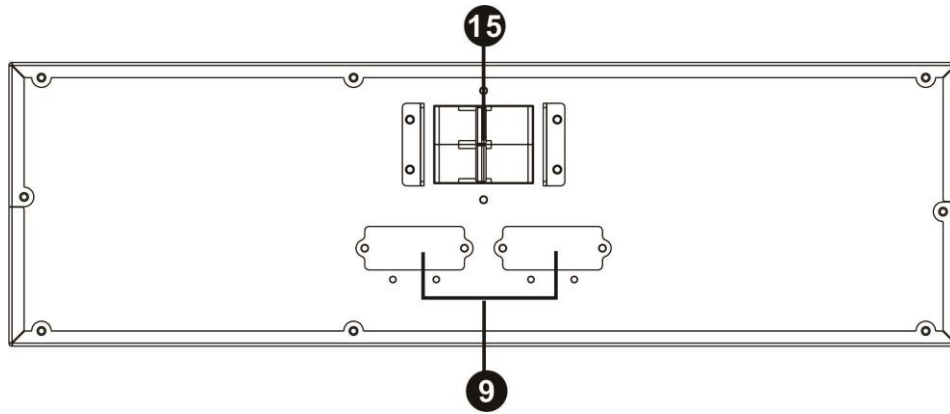


Diagram 2: 6KRT(L)/10KRT(L) Input/Output Terminal



**Diagram 3: Battery Pack Rear Panel**

1. RS-232 communication port
2. USB communication port
3. EPO (Emergency Power Off) connector
4. Share current port (for parallel function)
5. Parallel port (for parallel function)
6. Intelligent slot
7. EMBS (External Maintain Bypass Switch) port
8. Cooling fan
9. External battery connector
10. Input circuit breaker
11. Input/Output terminal
12. Input terminal
13. Ground
14. Output terminal
15. Battery pack output circuit breaker

## 6. Specifications

MODEL		6KRT(L)	10KRT(L)
CAPACITY*		6000 VA / 5400 W	10000 VA / 9000 W
<b>INPUT</b>			
Voltage Range	Low Line Loss	110 VAC $\pm$ 3 % at 50% Load; 176 VAC $\pm$ 3 % at 100% Load	
	Low Line Comeback	Low Line Loss Voltage + 10V	
	High Line Loss	300 VAC $\pm$ 3 %	
	High Line Comeback	High Line Loss Voltage - 10V	
Frequency Range		46Hz ~ 54 Hz @ 50Hz system 56Hz ~ 64 Hz @ 60Hz system	
Phase		Single phase with ground	
Power Factor		$\geq$ 0.99 at 100% Load	
<b>OUTPUT</b>			
Output voltage		200V/208/220/230/240VAC	
AC Voltage Regulation		$\pm$ 1%	
Frequency Range (Synchronized Range)		46Hz ~ 54 Hz @ 50Hz system 56Hz ~ 64 Hz @ 60Hz system	
Frequency Range (Battery Mode)		50 Hz $\pm$ 0.1 Hz or 60Hz $\pm$ 0.1 Hz	
Overload	Line mode	100%~110%: 10min; 110%~130%: 1min; >130% : 1sec	
	Battery mode	100%~110%: 30sec; 110%~130%: 10sec; >130% : 1sec	
Current Crest Ratio		3:1 max	
Harmonic Distortion		$\leq$ 2 % @ 100% Linear Load; $\leq$ 4 % @ 100% Non-linear Load	
Transfer Time	Line $\leftrightarrow$ Battery	0 ms	
	Inverter $\leftrightarrow$ Bypass	0 ms	
	Inverter $\leftrightarrow$ ECO	<10 ms	
<b>EFFICIENCY</b>			
Line mode		> 90%	
Battery Mode		> 88%	
<b>BATTERY</b>			
Standard Model	Type & Numbers	12 V / 7 Ah x 20	12 V / 9 Ah x 20
	Recharge Time	7 hours recover to 90% capacity	9 hours recover to 90% capacity
	Charging Current	1 A $\pm$ 10% (max.)	
	Charging Voltage	273 V $\pm$ 1%	
Long Run Model	Type	Depending on applications	
	Numbers**	18 - 20	
	Charging Current	4 A $\pm$ 10% (max.)	
	Charging Voltage	273 V $\pm$ 1%	
<b>PHYSICAL</b>			
Dimension,DXWXH(mm)	UPS unit: 580X438 X133 Battery pack: 580X438 X133	UPS unit: 668X438 X133 Battery pack: 580X438 X133	
Net Weight (kgs)	UPS unit: 20 Battery pack: 57	UPS unit: 23.5 Battery pack: 63	
<b>ENVIRONMENT</b>			
Operation Temperature		0 ~ 40°C (the battery life will down when > 25°C)	
Operation Humidity		<95 % and non-condensing	
Operation Altitude***		<1000m	
Acoustic Noise Level		Less than 58dB @ 1 Meter	Less than 60dB @ 1 Meter
<b>MANAGEMENT</b>			
Smart RS-232 or USB		Supports Windows® 2000/2003/XP/Vista/2008, Windows® 7, Linux, Unix, and MAC	
Optional SNMP		Power management from SNMP manager and web browser	

\* If the UPS is in converter mode, the power capacity will be derated to 60% of full capacity;

\*\*If the battery number is 18, the power capacity will be derated to 90%; if it is 19, the power capacity will be derated to 95%;

\*\*\*If the UPS is installed or used in a place where the altitude is above than 1000m, the output power must be derated one percent per 100m.

■ Product specifications are subject to change without further notice.